



**Technical features:**

- electric towel warmer radiator made of steel
- horizontal elements with rectangular tubes 50x10 mm diameter
- side manifolds with 30 mm round section
- maximum working pressure 4 bar
- maximum working temperature 95°C
- radiator hydraulic equipped with a booster mounted behind the radiator with a power of 1,000 watts

**Price included:**

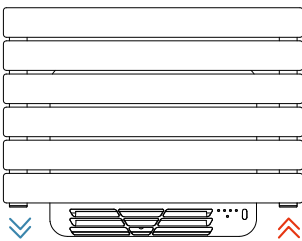
- 4 adjustable wall fixing brackets in the same color of the radiator
- 1/2" air vent

Finishes available	Surcharge
Standard White	
Classic finished	
Special finished	
Other RAL colors	

Finishing codes see page 596.

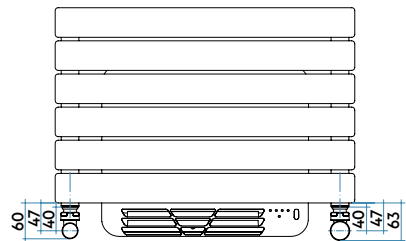


**Connections**



Laterals

**Connection dimensions with IRSAP valves**



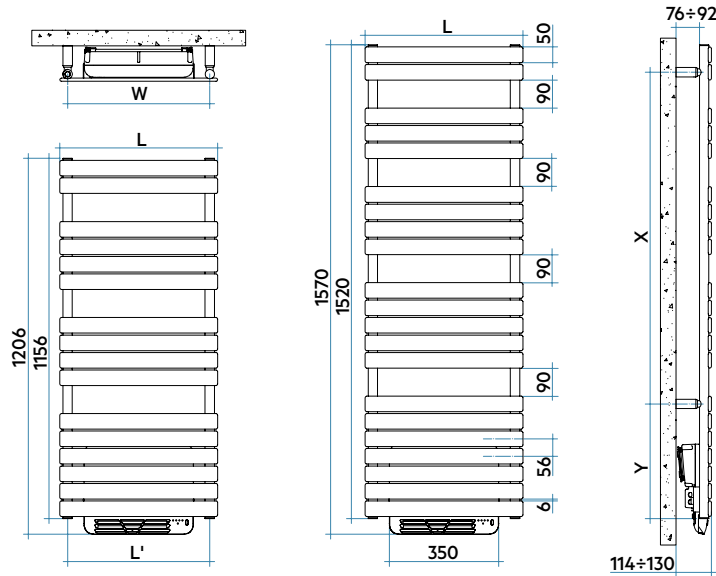
**Booster**



**MAIN CHARACTERISTICS OF AIR DIFFUSER**

- ON/OFF switch
- Power supply 230 V 50 Hz, 1 ph
- Power installed = 1000 W
- Insulation: CLASSE II
- Connecting to a network equipment that comes with the phase and neutral version without plug or with Schuko plug
- Protection index: IP24
- Long electricity cable: 1.200 mm
- Electronic ambient thermostat

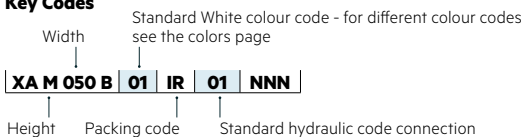
# XILO AIR MIX



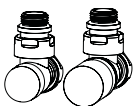
Model	Code	Depth P mm	Height H mm	Width L mm	Conn. C. L' mm	Weight Kg	Cap. lt	Thermal Power				Auxiliary heater		
								$\Delta t=50^{\circ}\text{C}$ Btu/h	$\Delta t=40^{\circ}\text{C}$ Watt	$\Delta t=30^{\circ}\text{C}$ Watt (*)	$\Delta t=20^{\circ}\text{C}$ Watt	Exp. n.	with diffuser Watt	
1156	<b>XAM050 B 01 IR 01 NNN</b>	110	1206	506	456	12,7	4,3	1902	<b>558</b>	429	<b>305</b>	189	1,178	+ 1000
16 rails 3 espaces														
1520	<b>XAL050 B 01 IR 01 NNN</b>	110	1570	506	456	15,8	5,6	2451	<b>718</b>	549	<b>388</b>	238	1,205	+ 1000
21 rails 4 espaces														

(\*) Thanks to the high performance of Irsap XILO AIR MIX radiators, the ideal  $\Delta t$  for low temperature projects is  $\Delta t$  at  $30^{\circ}\text{C}$ .  
For  $\Delta t$  different from  $50^{\circ}\text{C}$  use the formula:  $Q=Q_n (\Delta t / 50)^n$

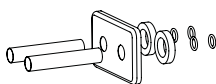
## Key Codes



## Decorative & Technical Accessories



Kit Valves and Lockshield valve  
Pag. 562



Pipe cover kit  
Pag. 566

## Wireless Remote Control (optional) for booster control

XILO Air Mix is equipped with a controller that allows remote management of every electric radiator function. Because the controller is wireless, it has the advantage of being quick and easy to install and does not require any modifications within the home.

### REELETRAS2501N

#### Technical specifications

- Wireless communication via radio signals transmitted to the receiver connected to the system.
- Approx. 30-50 metre range in residential environments (868 MHz).
- Radiofrequency communication pursuant to European standards.
- You can activate the manual functions

